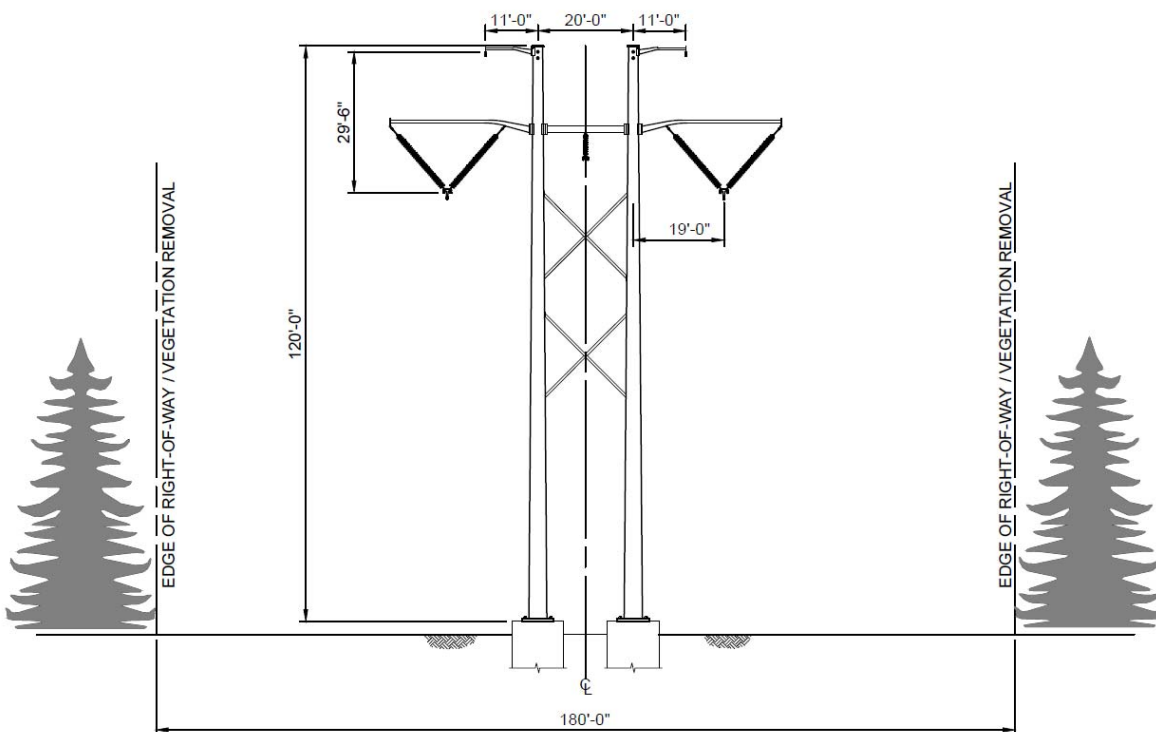
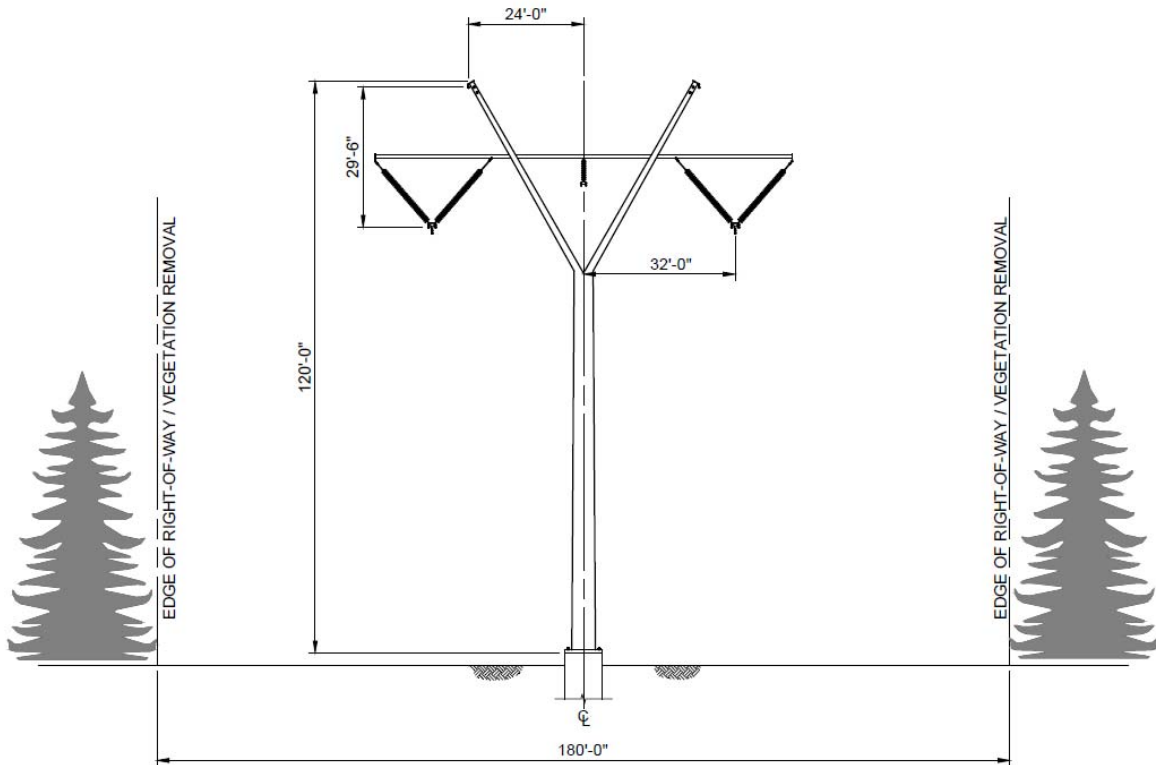




Potential Structure Types

The following are preliminary drawings of three types of structures that may be used on the Southern Cross Project. Structure heights and right-of-way widths shown are typical, and are subject to change during detailed engineering.





Potential Structure Types continued

Structure heights and right-of-way widths shown are typical, and are subject to change during detailed engineering.

